

INSTRUCTIONS



Secador® Desiccator Cabinets

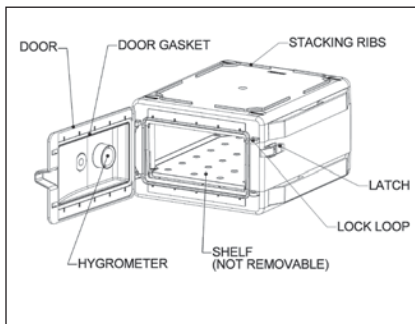
All Secador Desiccator Cabinets are molded of a clear/blue rigid plastic material which allows for easy observation of contents. The doors are hinged and gasketed and each is fitted with a precision digital hygrometer*. Each cabinet has a movable raised bottom shelf under which desiccant cartridges can be added. Polystyrene shelves are ribbed for strength and perforated for air exchange. Secador Desiccator Cabinets, vertical profile, are stackable. The 1.0, 2.0, and 3.0 model can be stacked up to 3 high, the 4.0 vertical profile units up to 2 high.

The 1.0, 2.0, and 3.0, vertical models can be stacked on a 4.0 vertical. A lock loop on the door permits a padlock or a tamper evident tag to be used to prevent unauthorized opening.

To clean the cabinet, use a soft cloth. Do not use abrasive cleansers which will leave scratches. We recommend the use of Bel-Art – SP Scienceware Aquet™ Detergent, Cat. No. F17094-0030.

SECADOR 1.0 DESICCATOR CABINET, HORIZONTAL PROFILE

Catalog No. F42071-0000, F42071-0006,
F42071-0007, F42071-0008



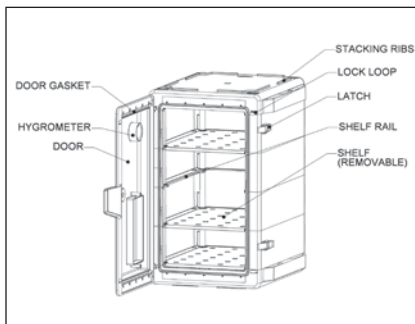
The cabinet should be placed on a horizontal surface with the door latch on the right. The space in front of the cabinet should be left clear to provide space for door opening.

Place desiccant cartridges under the shelf in the bottom. The desiccant will absorb moisture from the air in the cabinet.

The shelf of this model is movable but cannot be removed from the cabinet. Place items to be dried onto the shelf and close the door.

SECADOR 2.0, 3.0, and 4.0 DESICCATOR CABINET, VERTICAL PROFILE

Catalog No. F42072-1000, F42073-1000,
F42075-1000, F42074-1000

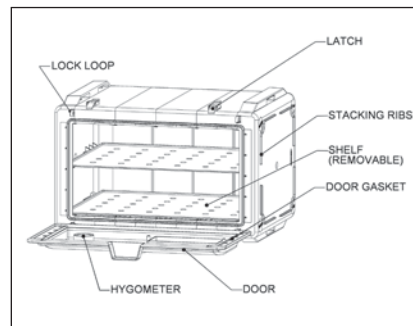


These cabinets have two door latches on the right side and hinges on the left. Leave space in front for the door to swing open. Place desiccant cartridges in the bottom of the cabinet and place the shelves into the cabinet starting at the bottom. Shelves must be angled 45 degrees to fit through the door opening,

then leveled to rest upon the desired shelf rail. With all shelves in place and secure on the shelf rails, the distance between the shelves is 110mm (4-3/8") minimum.

SECADOR 4.0 DESICCATOR CABINET, HORIZONTAL PROFILE

Catalog No. F42074-0000



This cabinet is the same size as the 4.0 vertical but is wider and lower than the vertical cabinet. The door is hinged at the bottom and has two latches at the top. Two removable shelves are included. With the two shelves in place, the distance between the shelves is 110 mm (4-3/8") minimum.

Additional desiccant can be added to the area under the bottom shelf.

CAUTIONS for all desiccator cabinets:

- Do not place in front of a heating or A/C duct
- Do not place near a heating device
- Do not place in areas with smoke or steam
- Do not attempt to introduce pressure or vacuum inside the cabinet
- Do not place any explosive or hazardous chemicals in the cabinets
- Do not autoclave
- Do not leave the cabinet door open for extended periods as moist air will enter

All of the Secador desiccator cabinets are molded in sections which are sealed tight by steel bolts. This hardware is factory assembled and no attempt should be made to alter the tightness of the nuts.

*Please see the enclosed document titled "Scienceware Digital Hygrometer Specifications and Calibration Procedure" for all information regarding the digital hygrometer supplied with these desiccators.

661 Route 23 South, Wayne, NJ 07470

TEL: 973-694-0500 • FAX: 973-694-7199 • www.belart.com

Bel-Art – SP Scienceware assumes no obligation or liability for any advice furnished by it, or for results obtained with respect to these products.

All such advice is given and accepted at the buyer's risk.

© 2017. All Rights Reserved.

Bel-Art® – SP Scienceware® is a division of SP Industries, Inc.



942070014 – 08/17

